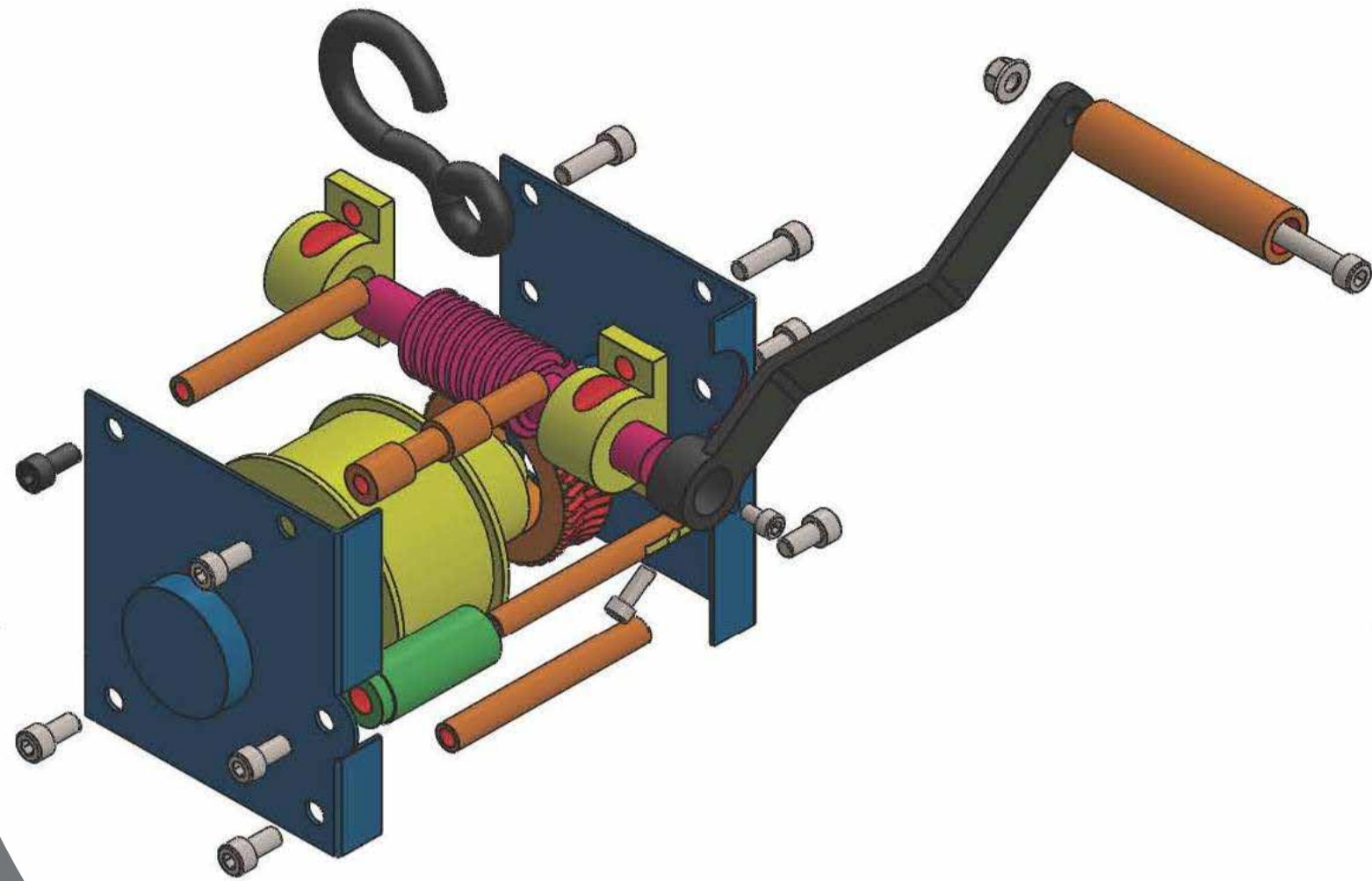




GUJARAT POWER  
RESEARCH & DEVELOPMENT CELL  
GUJARAT URJA VIKAS NIGAM LTD



# CONDUCTOR STRINGING DEVICE

The CSD is the innovation of GPRD Cell, GUVNL and subsequently it has industrially developed and manufactured

The CSD is the handy and useful equipment for the operating line staff of the power distribution utilities for their periodic new erection work and various maintenance activities, which mostly use or tighten the loose conductor spans and maintains the permissible sag with minimum staff and speedy works.

Technically, the objective of the pilot project for the Conductor Stringing Device is to provide total safety to the field staff of DISCOMs against electrical accidents while working online and in quick work.

## Benefits to the Power Distribution Companies

- Enhance the Quality of the Network
- Requires less Manpower
- Reduces the restoration time
- Prevents mechanical accidents
- Applicable in Distribution Network

## Features of CSD

- Stringing of Conductor easily, smoothly & without much efforts
- Handy tool to operate & light in weight to carry
- Safer & controlled operation
- Reliability
- Optimizely operation possible even with single line staff

**PATENT**  
AWAITED

The Conductor Stringing Device is a novel concept of the Gujarat Power R&D Cell and applied for patent.